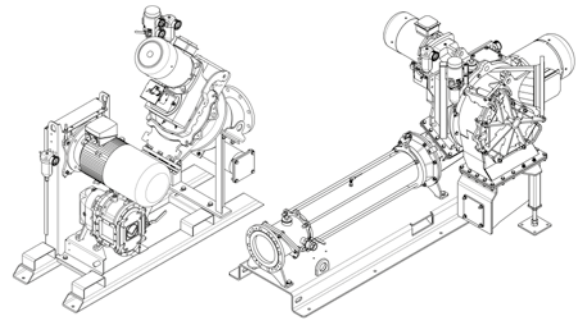


BioCut[®] and CC-Cut

The BioCut[®] and CC-Cut developed specially for biogas plants – positive displacement pump and macerator in one



Model		Rated capacity	Max. pressure	Installed drive power	
				Pump kW	RotaCut kW
VX series	RotaCut	m ³ /h	bar	Pump kW	RotaCut kW
BioCut					
VX136-105Q	RCQ-26G	25	4	7,5	4
VX136-105Q	RCQ-33Gpro	30	4	7,5	5,5
VX136-140Q	RCQ-33Gpro	42	4	11	5,5
VX186-130Q	RCQ-43Gpro	98	4	22	7,5
CC-Cut*					
CC44-M2	RCQ-33Gpro	10	8	5,5	5,5
CC44-D1	RCQ-43Gpro	27	4	7,5	7,5
CC55-M2	RCQ-33Gpro	20	8	9,2	5,5
CC55-D1	RCX-48G	50	4	11	8,3
CC66-M2	RCX-48G	30	8	15	8,3
CC66-D1	RCX-58G	70	4	15	16,5
CC77-M2	RCX-58G	70	8	18,5	16,5

* D1: single-stage progressive cavity pump, M2: two-stage progressive cavity pump